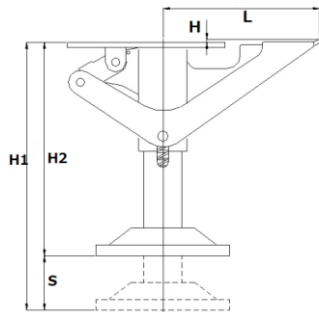
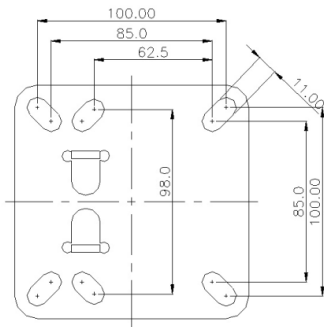


X-150 Series



(Unit : mm)

OFF



ON



Specification

(Unit : mm)

Model	H1	H2	S	L	H	Plate size	Hole spacing	Hole size	N.W./PC
X-150	212	169	43	123	2.5	124X124	100X100(85X85)	11	1.93KG