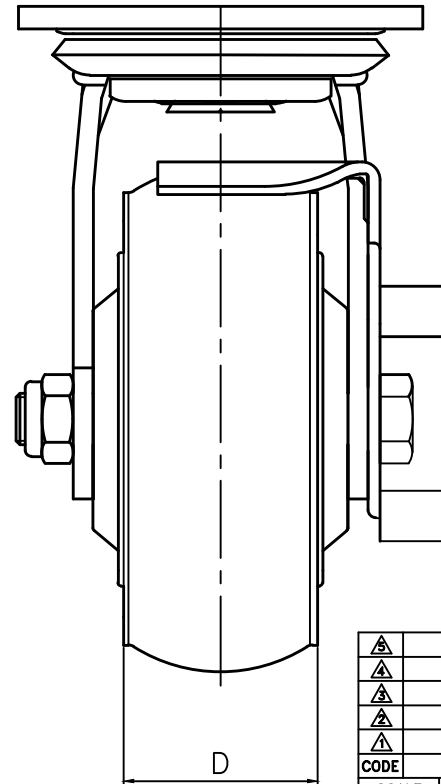
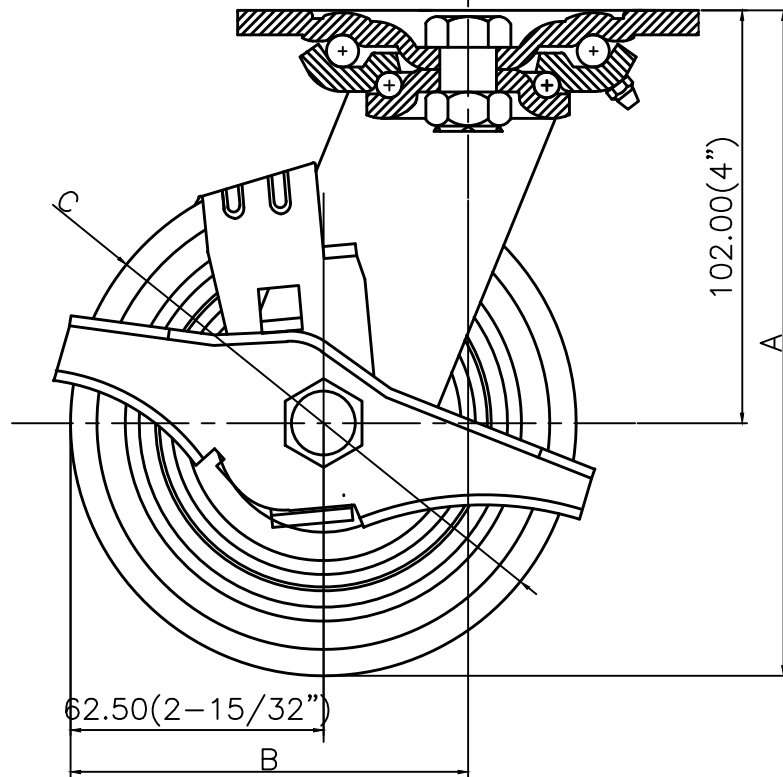


| | A | B | C | D |
|------|-------------------|---------------------|---------------|------------------|
| 6541 | 142.8 (5-5/8") | 81.5 (3-7/32") | 102.0 (4") | 38.0 (1-1/2") |
| 6551 | 165.5 (6-1/2") | 94.0 (3-11/16") | 127.0 (5") | 40.0 (1-4/7") |
| 6561 | 189.2 (7-1/2") | 110.0 (4-11/32") | 152.0 (6") | 44.0 (1-3/4") |
| 6581 | 241.3 (9-1/2") | 151.5 (5-31/32") | 203.0 (8") | 48.0 (1-8/9") |



| | | | | | | | | |
|----------------------------|-------|------|------------|----------|----------------------|---------|----------|--|
| | | | | NAME | TP6551-01-PCI-TG-TLB | | | |
| | | | | DRAWN | DESIGN | CHECKED | APPROVED | |
| | | | | | | | | |
| CODE | MEMO | DATE | SIGN | DWG NO. | | | | |
| SCALE | 1 / 1 | DATE | 2016.09.22 | | | | | |
| SAM SONG CASTER. CO., LTD. | | | | REF. NO. | | | | |